

STATE LAND BOARD

GOVERNOR TOM McCALL
 SECRETARY OF STATE CLAY MYERS
 TREASURER ROBERT STRALB

DIRECTOR
 DIVISION OF STATE LANDS
 CHIEF ADMINISTRATIVE OFFICER FOR THE STATE LAND BOARD
 U 1410 WILLIAM S. COX

ADMINISTRATION
 RECORD MAINTENANCE, GENERAL CORRESPONDENCE
 PERSONNEL RECORDS, MAIL, TRIPS.
 SECRETARY TO THE STATE LAND BOARD
 0021 ADM. ASST. M.K. HEALY
 0002 CL. 2 B.K. SCHROEDER

PROGRAM EXECUTIVE
 ASSISTANT DIRECTOR, MANAGEMENT
 CO-ORDINATOR, PROGRAM PLANNING
 PERSONNEL
 0038 PROG. EX. L.C. MILKERSON

EXCHANGE PROGRAM
 PREPARATION FOR BLOCKING EXCHANGE
 OF 200,000 ACRES OF RANGE LAND
 SPECIAL ASSIGNMENT TO THE PROGRAM
 EXECUTIVE BY THE DIRECTOR

PROFESSIONAL SERVICES STAFF
 PROVIDES TECHNICAL ASSISTANCE TO
 DIRECTOR AND MANAGEMENT UNITS

ENGINEERING
 3019 CIVIL ENG. 3 S.F. HAMILTON
 3001 ENG. TECH. 1 V.N. KOSTRININ
 3002 ENG. TECH. 2 REQUESTED

APPRAISAL
 3104 PROP. APP. 4 A.P. PHIBBS
 3102 PROP. APP. 2 VACANT
 3102 PROP. APP. 2 RECOMMENDED

HEARINGS
 0708 HEARINGS REF. 2 RECOMMENDED
 0012 SEC. 2 REQUESTED

LAND MANAGEMENT
 GRAZING LEASES, MINING LEASES,
 RANGELAND IMPROVEMENTS, OIL & GAS
 EXPLORATION
 800,000 ACRES RANGE LAND
 150,000 ACRES FOREST LAND
 9114 RANGE MGR. 2 E.R. SCHWITZ
 8115 RANGE MGR. 1 B.P. LEWIS
 0012 SEC. 2 REQUESTED

WATERWAYS MANAGEMENT
 WATERWAY LEASES, EASEMENTS,
 LAND FILLS, REMOVAL PERMITS
 800,000 ACRES OFFSHORE LANDS
 40,000 ACRES ESTUARIES
 ACRES NAVIGABLE RIVERS
 0880 NAT. RES. PER. R.C. MONTAGNE
 0980 NAT. RES. PER. REQUESTED
 0015 SEC. 3 P.J. BURLEY

FISCAL MANAGEMENT
 ACCOUNTING, COMMON SCHOOL FUND & TRUST
 FUNDS, ABANDONED PROPERTY, AUDITS, ESCHEATS
 007 FISCAL OFF. 1 REQUESTED
 002 SEC. 2 RECOMMENDED

ACCOUNTING
 0105 ACCT. 2 W.J. BISHOP

AUDITING
 0181 REV. AUD. 2 C.J. BRENNHA
 018 EXAMINER 2 RECOMMENDED

ESCHEATS
 0413 PROBATE AGT. BR. OVERHIRE
 0044 SEC. 4 A.D. BLIZARD

STATE LAND BOARD

Governor
Secretary of State
Treasurer

DIVISION OF STATE LANDS
U1410 Director

ADMINISTRATION

0015 Sec. 5
0002T Clk. 2

PROGRAM EXECUTIVE

0033 Asst. Dir.
0012 Sec. 2

Land Management

9114 Range Mgr. 2
(Manager)
9113 Range Mgr. 1

WATERWAY MANAGEMENT

9301 Water Res. Rep.
(Manager)
9161B Aquatic Biologist
0001 Clk. 1 Permits
0004 Clk. 4 Permits
0013 Sec. 3

FISCAL MANAGEMENT

0107 Fiscal Officer 1
(Manager)
0105 Acct. 2
0116 Field Exam. 2
0191 Rev. Aud. 2
0003 Clk. 3

Probate

0412 Probate Agent
0014 Legal Sec. 4

PROFESSIONAL SERVICES STAFF

Engineering Section

3013 Staff Eng. CE 3 (Mgr.)
3001 Eng. Tech. 2

EEA - Division of State Lands

3001 Eng. Tech. 1
3001 Eng. Tech. 1
3003 Eng. Tech. 3
3003 Eng. Tech. 3

EEA - Advisory Committee

3001 Eng. Tech. 1
3001 Eng. Tech. 1
3003 Eng. Tech. 3
3003 Eng. Tech. 3
3003 Eng. Tech. 3
0014 Sec. 4

Appraisal Section

3104 Prop. Appr. 4
3102 Prop. Appr. 2

Hearings Section

0706 Hearings Off. 2
0012 Sec. 2

Division of State Lands
Organizational Chart
1977-79

Director R32

Administration

Admin. Asst. R14
Clerical Asst. R 7
½ Clerical Asst. R 7

Land Management

Range Management Sec.

Range Manager 2 R24
Range Manager 1 R19
Clk. Asst. (CETA) R 7

Minerals Leasing Sec.

Program. Exec. 3 R26
Secretary R 9

Appraisal Section

Appraiser 2 R19

Fiscal Management

Fiscal Mgr. 2 R26
Secretary R 9

Accounting Sec.

Acct. 2 R19

Auditing Sec.

Rev. Auditor 2 R20
Rev. Auditor 1 R17
½ Clk. Asst. R 7

Probate Administration Sec.

Probate Agent R22
Admin. Assist. 1 R14

Waterway Management

Civil Eng. 4 R29
Secretary R 9

Waterway Leasing Sec.

Appraiser 4 R24
Rev. Agt. 2 R17
Env. Spec. 1 R16
Secretary R 9

Environmental Mgmt. Sec.

Env. Spec. 3 R25
Aquatic Bio. 2 R19
Env. Tech. 3 R18
Env. Spec. 1 R16
Admin. Asst. R14
Clk. Asst. R 7

Engineering Section

Civil Eng. 2 R23
Civil Eng. 1 R19
Eng. Tech. 2 R17
Eng. Tech. 2 R17
Eng. Tech. 1 R14
Eng. Tech. 1 R14

Division of State Lands
Organizational Chart
1979-81

Director R30.5

Administration

Admin. Asst. R14
Secretary R 9
Clerical Asst. R 7¹

Land Management

Fiscal Management

Waterway Management

Fiscal Mgr. 2 R26
Secretary R 9

Civil Eng. 4 R29
Secretary R 9

Range Management Sec.²

Minerals Leasing Sec.

Accounting Sec.

Auditing Sec.

Waterway Leasing Sec.

Environmental Mgmt. Sec.

Range Manager 2 R24
Range Manager 1 R19
¼ Secretary R 9

Program. Exec. 3 R26
¼ Secretary R 9

Acct. 2 R19
Acct. 1 R17

Rev. Auditor 2 R20
Rev. Auditor 1 R17

Appraiser 4 R24
Rev. Agt. 2 R17
Env. Spec. 1 R16
Secretary R 9

Env. Spec. 3 R25
Aquatic Bio. 2 R19
Eng. Tech. 2 R17

Admin. Asst. R14
Clk. Asst. R 7
Clk. Asst. (CETA) R 7

Appraisal Section

Appraiser 2 R19

Probate Administration Sec.

Probate Agent R22
Admin. Assist. 1 R14

Engineering Section

Civil Eng. 2 R23
Res. Anlst 2 R19
Eng. Tech. 2 R17
Eng. Tech. 2 R17
Eng. Tech. 1 R14
Eng. Tech. 1 R14

¹50% clerical assistant's time spent in Fiscal Management related to work in abandoned property.

²Range Management Section located in Vale, Oregon.

DIVISION OF STATE LANDS

1982 — 1983

Organizational Chart

DIRECTOR — ED ZAJONC

Secretary to Director
SUSAN PAYNE

Secretary to State Land Board
Administrative Asst. - JAN HALEY

South Slough Sanctuary - DELANE MUNSON, MGR.
JOHN GARNER
MARY ENSTROM
DON DORBUCK

Receptionist — RUTH KINGERY

Natural Heritage Advisory Council

ASSISTANT DIRECTOR
STAN HAMILTON

ASSISTANT DIRECTOR
EARLE JOHNSON

ASSISTANT DIRECTOR
CARL BRENNA

LANDS AND MINERALS

ENVIRONMENTAL PERMITS

FINANCE AND ADMINISTRATION

Administrative

Secretary —
PENNY COZADD

Range Land Leasing

Range Manager (Vale) —
BURT LEWIS

Asst. Range Manager (Vale) —
JEFF SURBER

Asst. Range Manager (Salem) —
DON MITCHELL

Secretary (½) (Vale) —
MARY DOMBY

Waterland Leasing

Program Executive —
BOSTON WHITE

Administrative Asst. —
JOE RYAN

Secretary —
KATHY LEEDLE

Minerals

Program Executive —
JIM BARLOW

Administrative Asst. —
THELMA THALER

Navigability

Research Analyst —
JIM FARNELL

Administrative

Secretary (½) —
KATHY POWELL

Issuance

Permit Specialist —
MARGE AKERS

Clerical Specialist —
ELIZABETH HOOK

Clerical Asst. —
DIANNE TADAKI

Enforcement/Coordinators

Aquatic Biologist —
BILL PARKS

Engineering Tech. —
GREG WILLNOW

Boundary/Engineering

Civil Engineer —
TOM MILNE

Engineering Techs. —
PERRY LUMLEY
LINDA WILLNOW (½)
JOYCE ERICKSON (½)
ELIZABETH KREBILL
JOHN SMITH

Secretary (½) —
JILL BURNETT

Administrative

Secretary —
BARBARA SCHROYER

Accounting

Accountant —
STACIA JOHNSON

Accountant —
JEANNENE GLOVER

Auditing

Auditor —
LAUREN SCHWINKENDORF

Auditor —
DEAN FOWLER

Probate

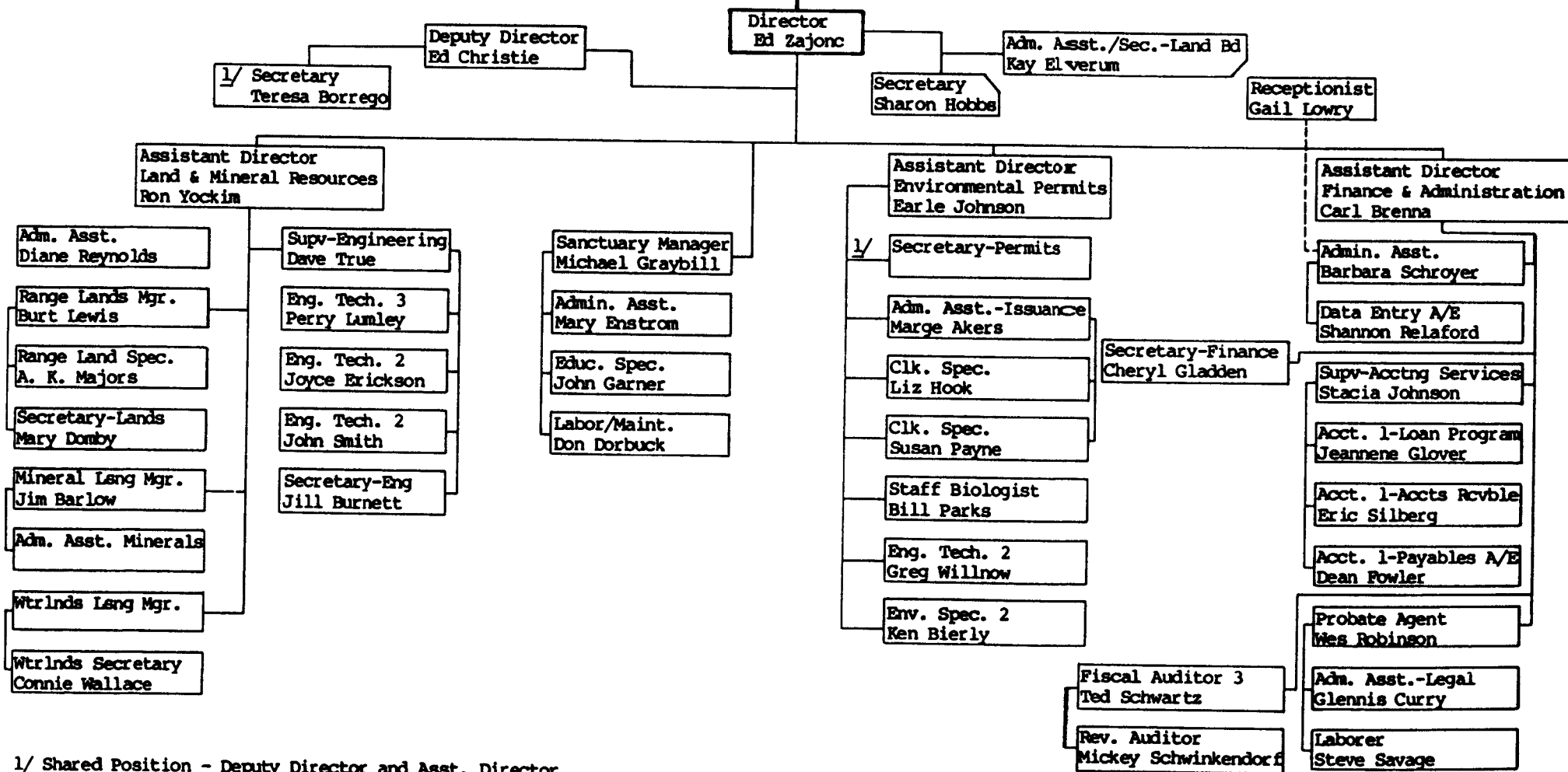
Probate Agent —
WES ROBINSON

Administrative Asst. —
GLENNIS CURRY

DIVISION OF STATE LANDS

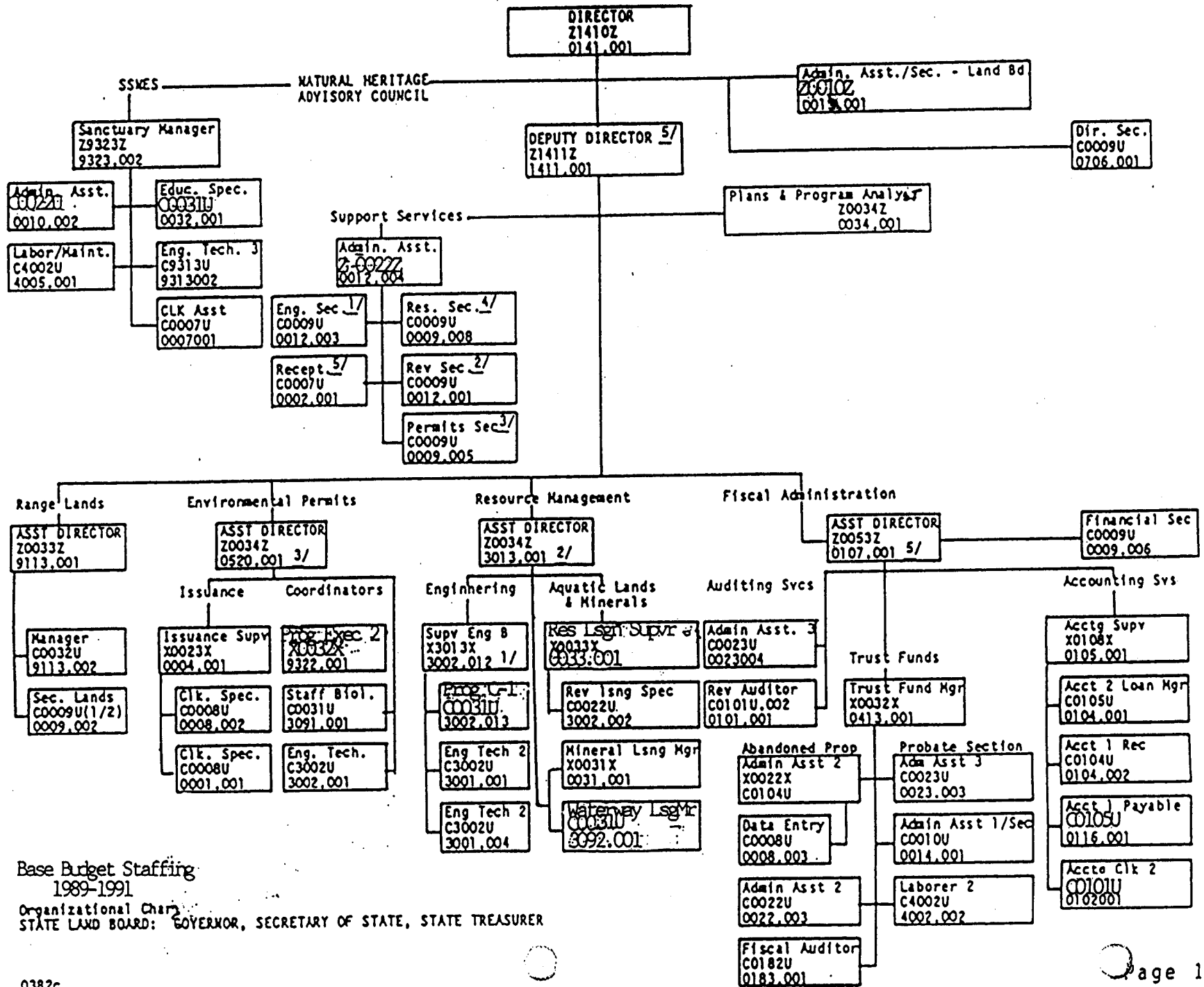
Organizational Chart
June 30, 1984

STATE LAND BOARD: GOVERNOR, SECRETARY OF STATE, STATE TREASURER



1/ Shared Position - Deputy Director and Asst. Director for Environmental Permits

DIVISION OF STATE LANDS



Base Budget Staffing
1989-1991

Organizational Chart
STATE LAND BOARD: GOVERNOR, SECRETARY OF STATE, STATE TREASURER

'93 - '95 DIVISION OF STATE LANDS

Total Positions 64
Total FTE 62.86

